

DUCT FANS

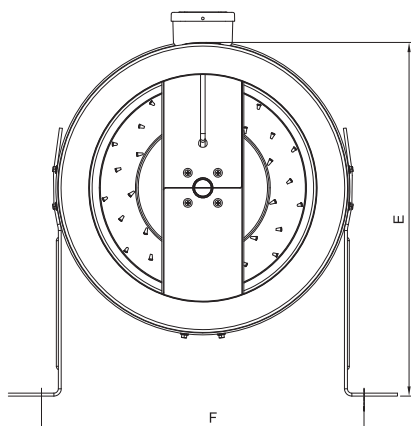
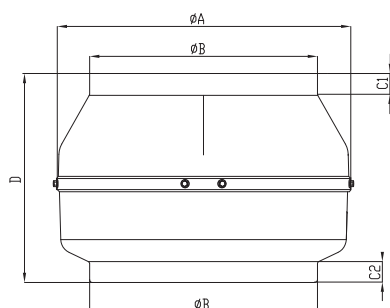


BDTX

AC CENTRIFUGAL IN LINE DUCT FANS Backward Curved

Straight airflow and easy installation - with the high pressure stability, low noise level and high efficiency. Both sides of the BDTX fans is suitable to fit into the centrifugal duct and can be fixed with fastening clamps. Fans can be performed in any mounting position.

Technical Drawings

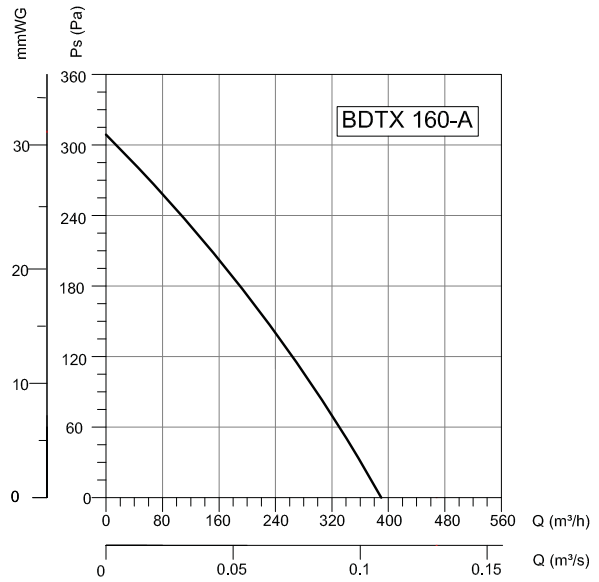
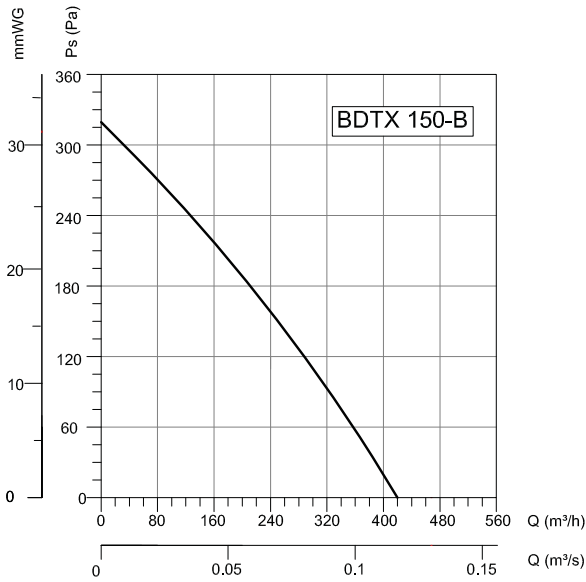
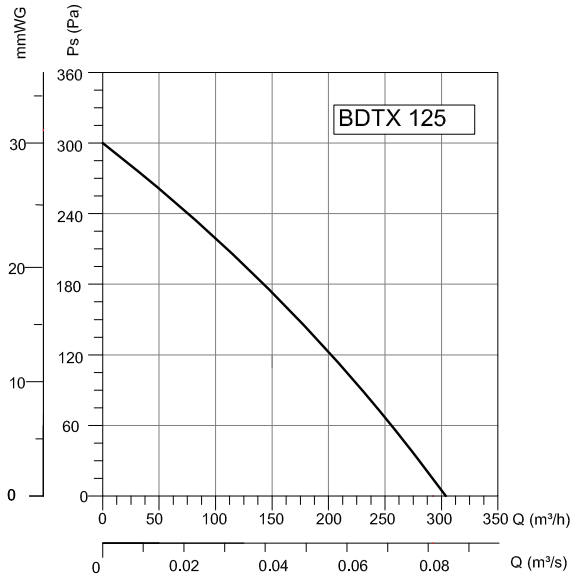
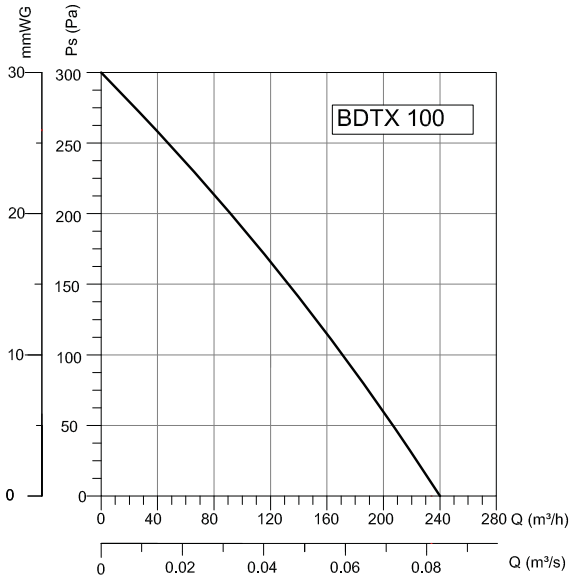


- MATERIAL** : The housing is made of electrostatic powder coated sheet iron, impeller is made of galvanized sheet metal. Housing forming is proceeded by stamps for proper fit.
- INSULATION CLASS** : Class B, Class F
- DIRECTIVE** : EN 60335-1, EN 60335-2-80
- PROTECTION OF MOTOR** : Thermal overload protection is available upon request. (Connector box- IP 55)
- SPEED CONTROL** : Speed can be adjusted using an optional controller.
- APPLICATION AREAS** : For industrial and constructional applications, in factories, hospitals, night clubs, offices, kitchens, bathrooms, theaters, condominiums, restaurants, etc.



TYPE	A	B	C1	C2	D	E	F
BDTX 100	245	97	22	22	197	273	268
BDTX 125	245	122	20	20	188	273	268
BDTX 150B	272	147	23	25	192	286	295
BDTX 160A	272	157	23	25	192	286	295
BDTX 200A	330	196	30	28	230	380	352
BDTX 200B	330	196	30	28	230	380	352
BDTX 250A	330	247	30	28	227	380	352
BDTX 250B	330	247	30	28	227	380	352
BDTX 315A	400	313	30	30	285	415	422
BDTX 315B	400	313	30	30	285	415	422
BDTX 355	400	352	30	30	378	415	422

Dimensions are in (mm)



TYPE	VOLTAGE	FREQUENCY	POWER	CURRENT	CAPACITOR	SPEED	AIR FLOW	SOUND PRESSURE LEVEL	WEIGHT
	V	Hz	W	(A)	(μ F)	d/d	m ³ /h	dB(A)	kg
BDTX 100	230	50	80	0,3	2	2610	240	50	2,6
BDTX 125	230	50	80	0,36	2,5	2325	315	55	2,7
BDTX 150-B	230	50	85	0,38	2,5	2425	420	55	3,2
BDTX 160-A	230	50	90	0,4	2,5	2385	390	55	3
BDTX 200-A	230	50	95	0,43	2,5	2280	735	55	4,4
BDTX 200-B	230	50	122	0,55	4	2550	870	56	4,8
BDTX 250-A	230	50	124	0,56	4	2500	1010	57	4,9
BDTX 250-B	230	50	145	0,63	5	2635	1150	58	5,3
BDTX 315-A	230	50	190	0,9	5	2560	1450	65	6,8
BDTX 315-B	230	50	210	1,1	7	2660	1750	65	6,9
BDTX 355	230	50	123	0,63	4	1420	1300	66	9

DUCT FANS

ROOF FANS

AXIAL FANS

RADIAL FANS

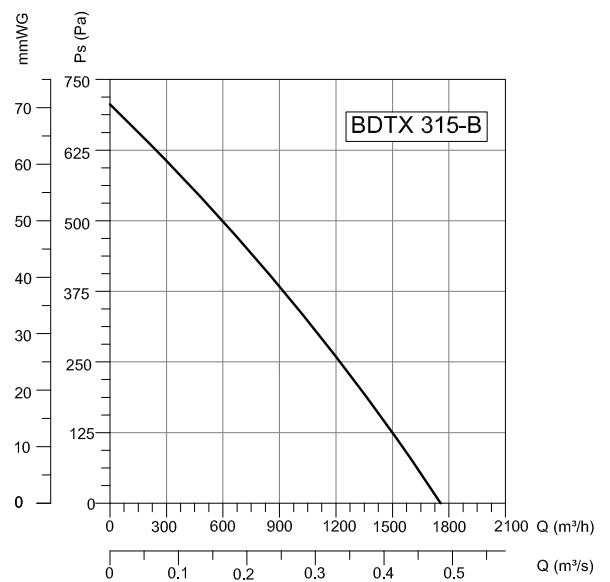
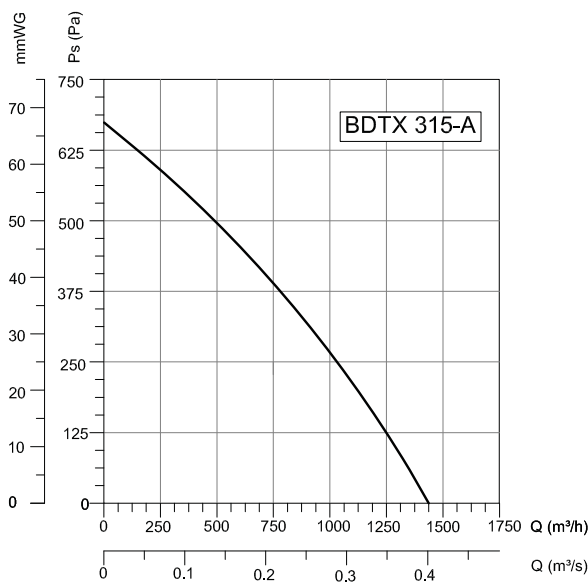
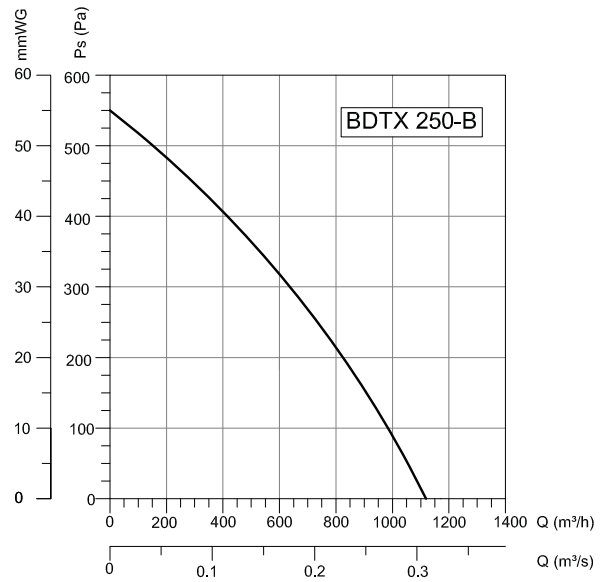
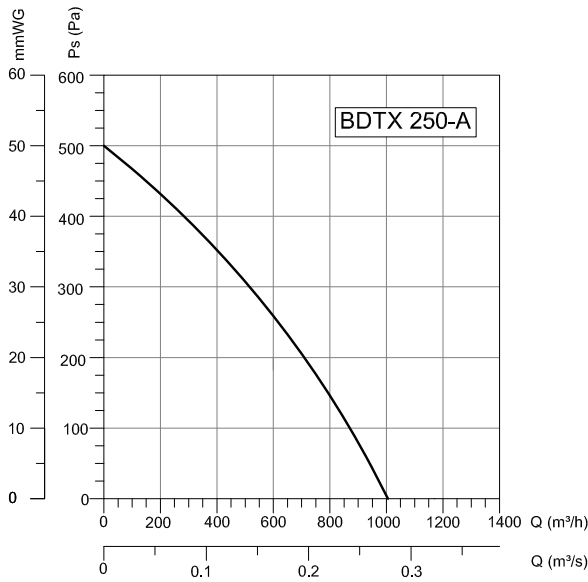
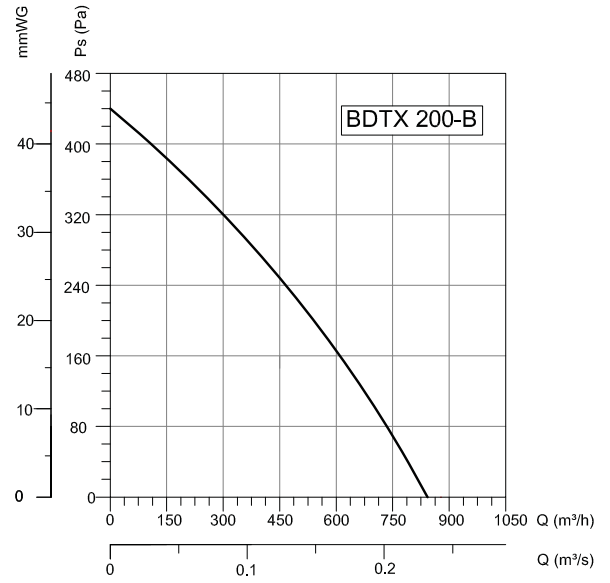
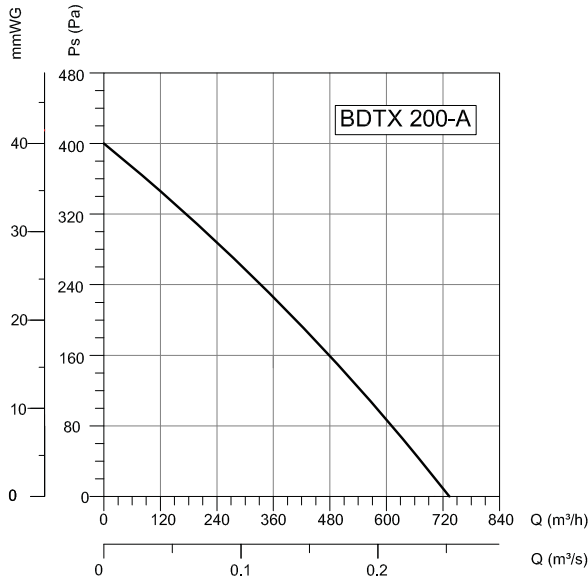
PLASTIC FANS

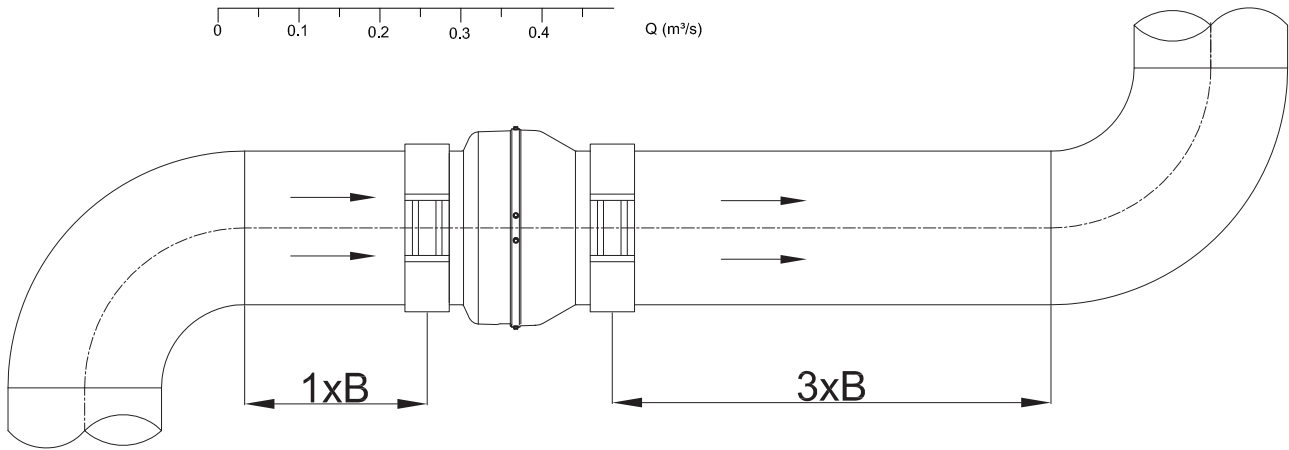
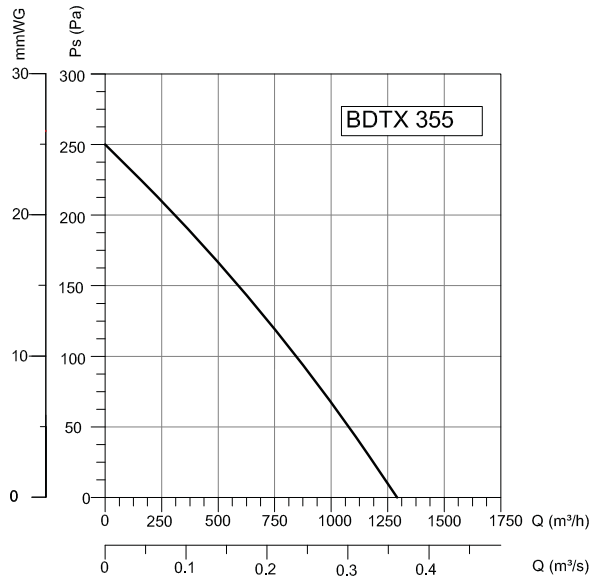
VENTILATORS

SMOKE EXHAUST SYSTEMS

ACCESSORIES

DUCT FANS





- DUCT FANS
- ROOF FANS
- AXIAL FANS
- RADIAL FANS
- PLASTIC FANS
- VENTILATORS
- SMOKE EXHAUST SYSTEMS
- ACCESSORIES