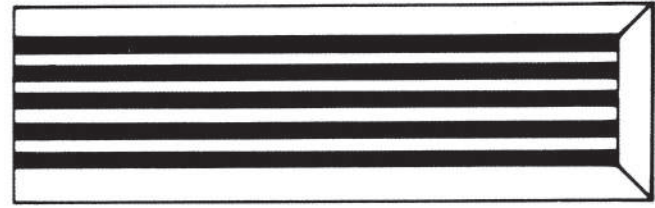


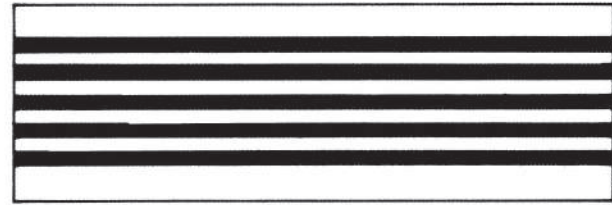


1- ONE END LINEAR GRILLE/REGISTER (D1)
AVAILABLE IN ANY STANDARD SIZE.



D1

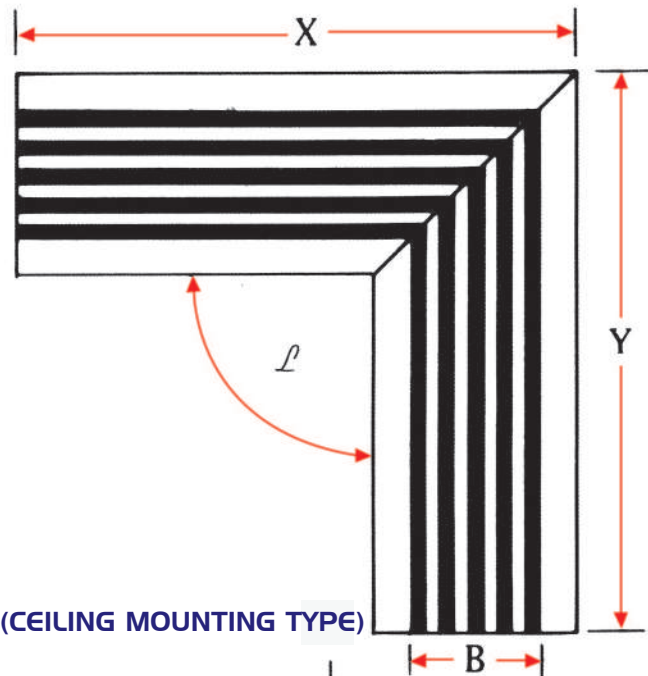
2- INTERMEDIATE LINEAR GRILLE/REGISTER (D2)
AVAILABLE IN ANY STANDARD SIZE.



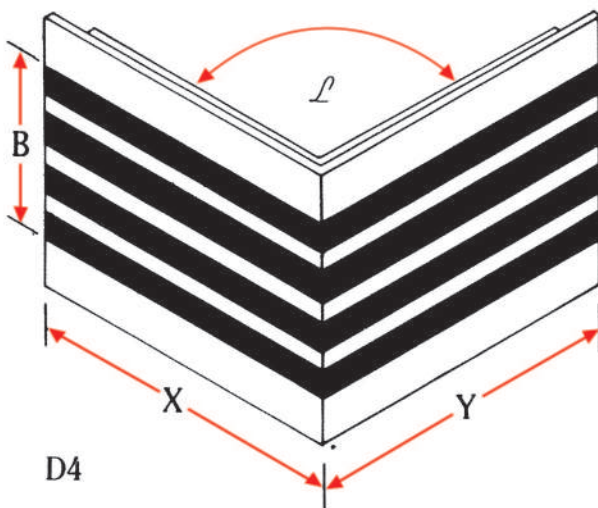
D2

3- CORNER PIECES (D3,D4,D5)
AVAILABLE IN ANY COMBINATION OF B, X, Y & ℓ

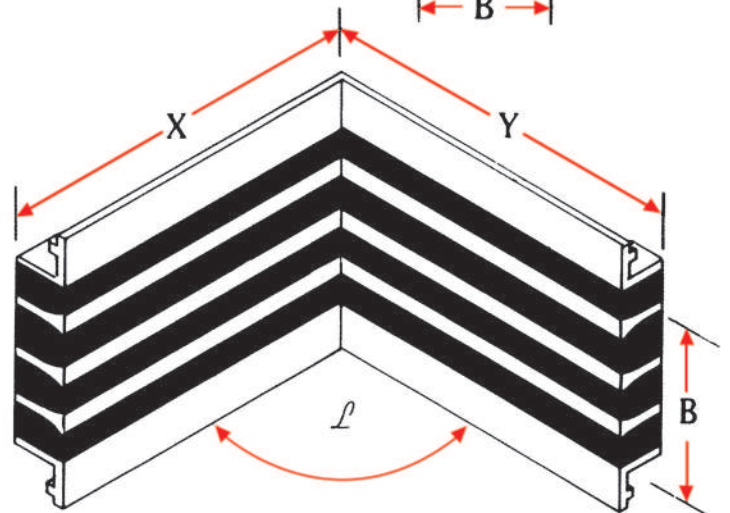
B (mm)	X(mm)	Y(mm)	ℓ (degree)
100	300	300	45°
150	600	600	90°
200	800	800	135°
250	1000	1000	
300	1200	1200	



D3 (CEILING MOUNTING TYPE)



D4



D5 (WALL MOUNTING TYPE)

