



# ROUND VOLUME CONTROL DAMPER - VDR MODEL STEEL BLADE

## STANDARD CONSTRUCTION

- Frame:** 0.9mm thick galvanized steel sheet.
- Blades:** 0.9mm thick galvanized steel sheet.
- Axles:** 1/2" square hollow Aluminum extruded profile.
- Bushing:** Self lubricating plastic bushes.
- Quadrant:** Plated steel with wing nut to lock the blades position. Marked to show the position of the blades.
- Seal:** Foam gasket.
- Sizes:** 4, 5, 6, 8, 10, 12 inch diameter (AMCA certified).
- Diameters 14 inch and above are available up on request.



Plastic Bushes

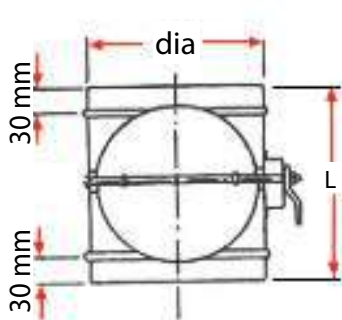
### Model VDRG2P



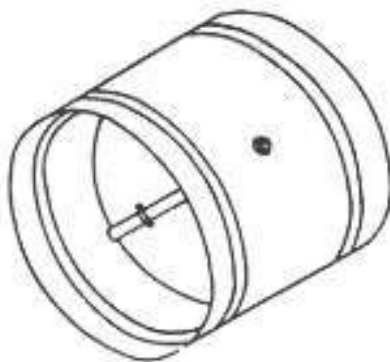
### Model MVDRG2P



## DIMENSIONS



$$L = \text{dia.} + 60\text{mm}$$





# ROUND VOLUME CONTROL DAMPER - VDR MODEL STEEL BLADE

## OPTIONS

FEATURE	MODEL	MANUAL QUADRANT MODELS							MOTORIZED MODELS								
		VDRG2P	VDRG2B	VDRG2X	VDRG2S	VDRS2X	VDRS2S	VDRG2-SMC	VDRS2-SMC	MVDRG2P	MVDRG2B	MVDRG2X	MVDRG2S	MVDRS2X	MVDRS2S	MVDRG2-SMC	MVDRS2-SMC
DRIVE	MANUAL QUADRANT	✓	✓	✓	✓	✓	✓	✓	✓								
	ELECTRIC ACTUATOR									✓	✓	✓	✓	✓	✓	✓	✓
BLADE TYPE	SINGLE SKIN	✓	✓	✓	✓	✓	✓	✓	✓	✓	✓	✓	✓	✓	✓	✓	✓
USE	CONTROL (AIR BALANCING)	✓	✓	✓	✓	✓	✓	✓	✓	✓	✓	✓	✓	✓	✓	✓	✓
	LOW LEAKAGE (AIR TIGHT SHUTT OFF)																
CONSTRUCTION	GALVANIZED STEEL	✓	✓	✓	✓			✓		✓	✓	✓	✓			✓	
	STAINLESS STEEL 304					✓	✓		✓					✓	✓		✓
BUSHING/ BEARING TYPE	PLASTIC BUSHES	✓								✓							
	BRASS BUSHES		✓					✓	✓		✓					✓	✓
	S.S. BUSHES			✓		✓						✓		✓			
	S.S. BEARING				✓		✓						✓		✓		

\*\*Other options of S.S. bushes "X" and S.S. bearing "S" are shown at the ordering key.



### Ordering Key:

M	V	DR	G2	P	SIZE
---: QUADRANT-DRIVED M: MOTORIZED					
V: SINGLE SKIN BLADE					
DR: CONTROL DAMPER ROUND TYPE					
G1: 0.7MM G.I. CONSTRUCTION G2: 0.9MM G.I. CONSTRUCTION (STANDARD) G3: 1.2MM G.I. CONSTRUCTION G4: 1.5MM G.I. CONSTRUCTION S1: 0.8MM S.S. 304 CONSTRUCTION S2: 1.0MM S.S. 304 CONSTRUCTION S3: 1.2MM S.S. 304 CONSTRUCTION					
P: PLASTIC BUSHES (STANDARD) B: BRASS BUSHES X: S.S. BUSHES S: S.S. BEARINGS					
SIZE: DIAMETER OF 4, 5, 6, 8, 10, 12, 14, 16, 18, 20, 22 or 24					





# ROUND VOLUME CONTROL DAMPER - VDR MODEL STEEL BLADE

## PERFORMANCE DATA

Beta Industrial LLC certifies that the VDR shown hereon is licensed to bear the AMCA Seal. The ratings shown are based on tests and procedures performed in accordance with AMCA Publication 511 and comply with the requirements of the AMCA Certified Ratings Program.

The AMCA Certified Ratings Seal applies to Air Leakage and Air Performance ratings.

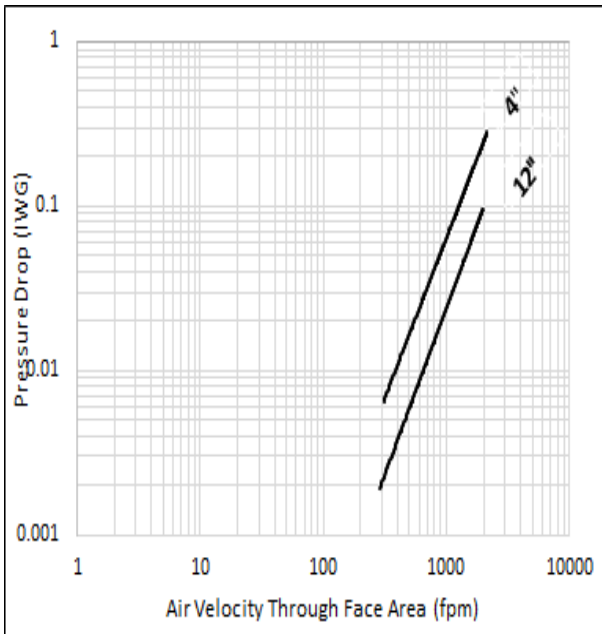


### Test Information

- \* Air leakage is based on operation between 32 °F and 120 °F
- \* Tested for air leakage at standard air density in accordance with ANSI/AMCA Standard 500-D, Figure 5.4
- \* Tested for air performance at standard air density in accordance with ANSI/AMCA 500-D, Figure 5.3
- \* Data are based on a torque of 49 in-lb/ft<sup>2</sup> applied to close and seat the damper during the test.

### AIR PERFORMANCE DATA

### AIR LEAKAGE DATA



Damper Dia	Leakage Class			
	0.5 in.wg	1 in.wg	2 in.wg	4 in.wg
4"	1	1A	1	1
12"	2	2	2	3

Maximum Allowable Leakage, cfm/ft <sup>2</sup>			
Pressure Class	1.0" W.G	4" W.G	8" W.G
1A	3	N/A	N/A
1	4	8	11
2	10	20	28
3	40	80	112

