

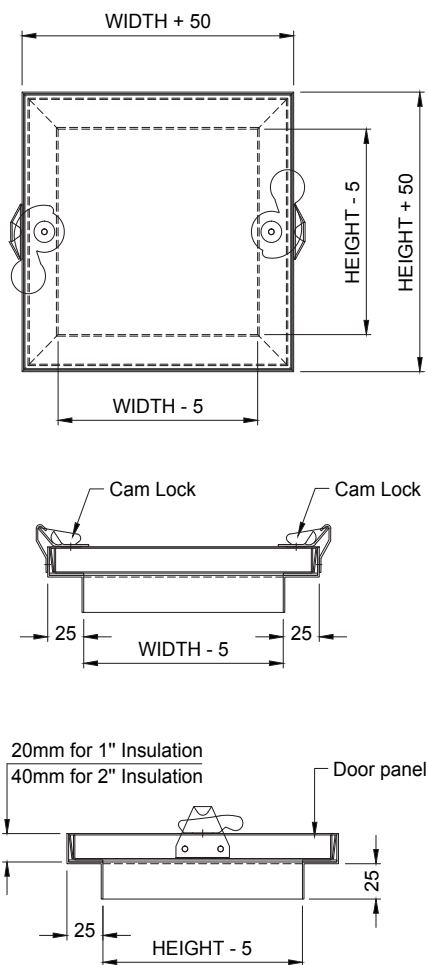


Description:

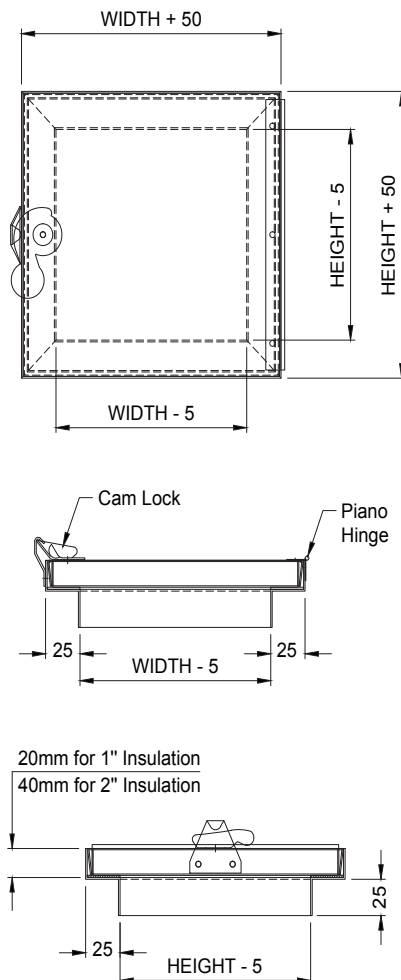
- Made of 1.2mm thick galvanized steel.
- Contain 1" thick glass fiber insulation of 24kg/m³ (2" optional).
- Provided with gasket between door & frame.
- For closure, equipped with one of the following alternatives.
 - 2 cam locks (standard)
 - 1 cam lock & Piano-hinge.
 - Piano-hinge & handle operated lock with key.

Dimensions :

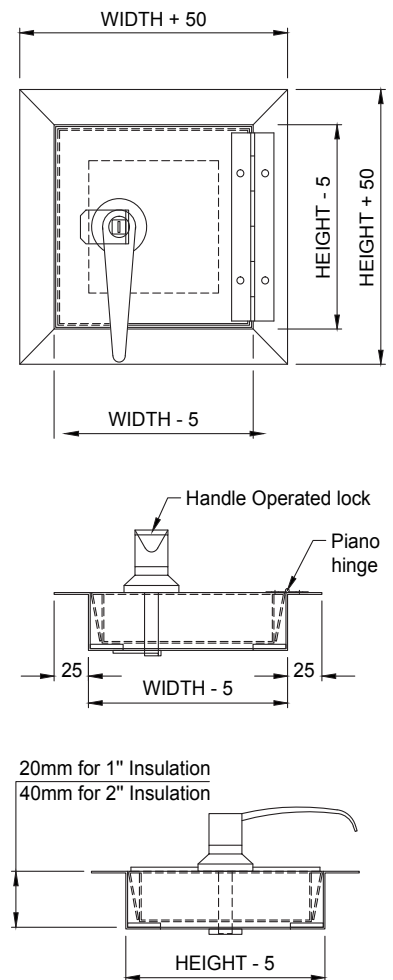
ACCESS DOOR WITH 2 CAM LOCKS



ACCESS DOOR WITH A CAM LOCK & PIANO HINGE



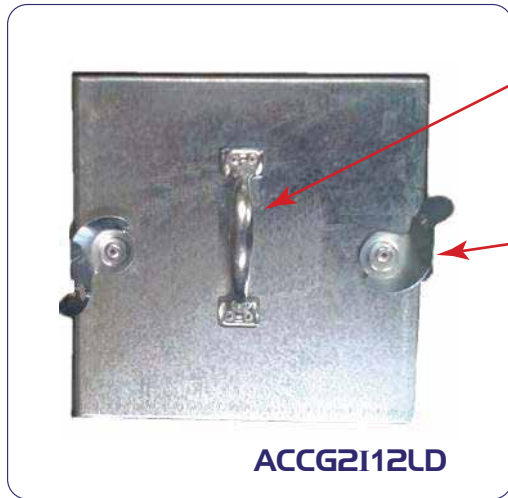
ACCESS DOOR WITH A HANDLE OPERATED LOCK & PIANO HINGE





DAMPERS

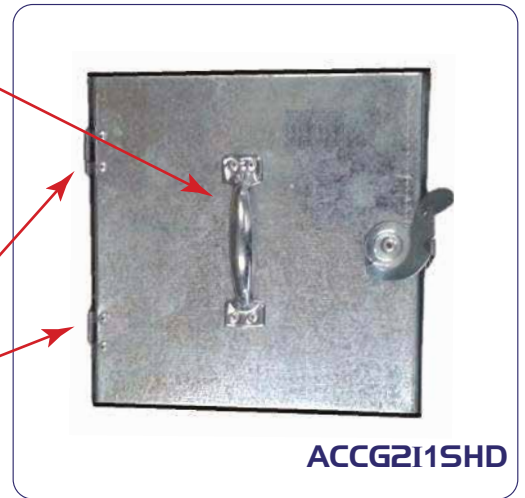
OPTIONS



**DRAWER-TYPE
HANDLE**

CAM LOCK

ACCG2I12LD



**SEPARATE
BUTT HINGES**

ACCG2I1SHD



**HANDLE
OPERATED
LOCK WITH
KEY**

**PIANO
HINGE**

ACCG2I1PHLK



Ordering Key:

A	C	C	G2	I1	P	H	L	K	W	X	H
ACCESS DOOR											
G0: 0.7MM G.I. CONSTRUCTION											
G1: 0.9MM G.I. CONSTRUCTION											
G2: 1.2MM G.I. CONSTRUCTION (STANDARD)											
G3: 1.5MM G.I. CONSTRUCTION											
I1: 1" INSULATION THICKNESS (STANDARD)											
I2: 2" INSULATION THICKNESS (OPTIONAL)											
ZL: WITH 2 CAM LOCKS (STANDARD)											
ZLD: WITH 2 CAM LOCKS & DRAWER - TYPE HANDLE											
PH: WITH PIANO HINGE AND A CAM LOCK											
PHD: WITH PIANO HINGE, A CAM LOCK & DRAWER - TYPE HANDLE											
SH: WITH SEPARATE HINGES & A CAM LOCK											
SHD: WITH SEPARATE HINGES, A CAM LOCK & DRAWER - TYPE HANDLE											
PHLK: WITH PIANO HINGES & HANDLE OPERATED LOCK WITH A KEY											
SHLK: WITH SEPARATE BUTT HINGES & HANDLE OPERATED LOCK / KEY											
SIZE: WIDTH X HEIGHT											

