

WE SHAPE
AIR



BETA
industrial
PRODUCTS CATALOGUE

PRODUCT BULLETIN

12





BETA
i n d u s t r i a l

index



>>	FLOW BAR DIFFUSERS	1
>>	PERFORMANCE DATA	2



High Throw Flow Bar Diffuser - FBR/FBF

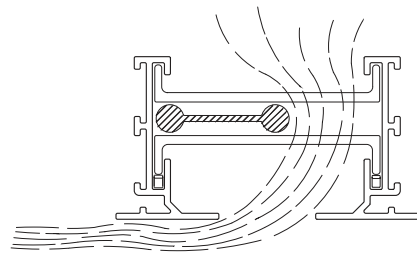
- Continuous slot system which allows the air distribution to become inconspicuous, while fully integrating and complementing the ceiling system and other ceiling components.
- Ceiling installation with unique clip and hanger support systems.
- Heavy wall extruded aluminium.
- Standard slot sizes are 50 & 38 ,25mm. Section lengths up to 12 feet are standard to minimize joints in long run.
- Integral pattern controllers allowing the airstream to be directed left and right for horizontal and vertical airflow. The format and colours of the table to be like below.
- Allows supply, return and exhaust air all from one diffuser, reducing ceiling clutter.



Models

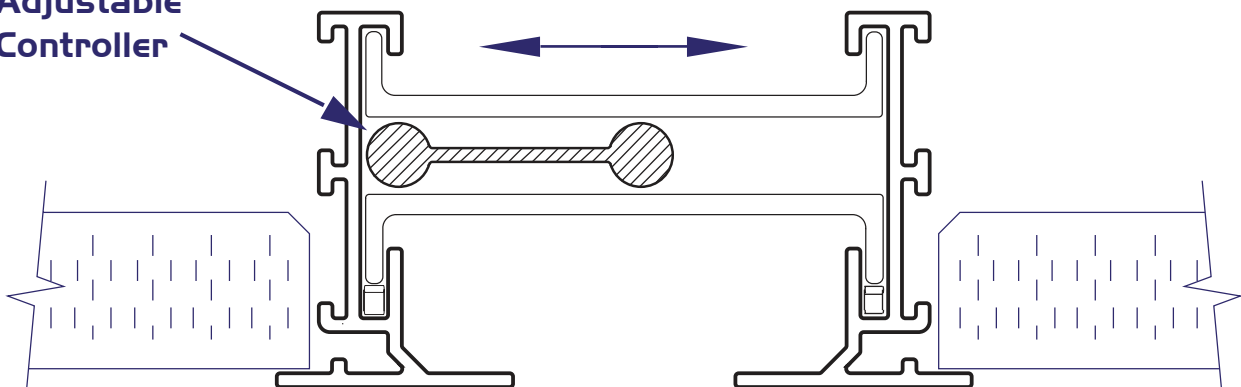
- FBR/FBF 25mm Slot
- FBR/FBF 38mm Slot
- FBR/FBF 50mm Slot

Air Pattern



Section Details

Adjustable Controller





Performance Data

25MM Slot	1-Slot	Airflow, cfm/ft.	25	40	55	70	85	100	115
		Static Pressure	0.028	0.072	0.136	0.221	0.325	0.450	0.596
		NC (Noise Criteria)	<10	16	26	33	39	44	49
		Throw	5-8-14	9-13-18	12-15-21	14-17-24	15-19-27	17-20-29	18-22-31
	2-Slot	Airflow, cfm/ft.	50	75	100	125	150	175	200
		Static Pressure	0.028	0.063	0.113	0.176	0.253	0.345	0.450
		NC (Noise Criteria)	<10	17	26	33	39	44	48
		Throw	7-11-20	11-17-25	15-20-29	19-23-32	20-25-35	22-27-38	23-29-41
38MM Slot	1-Slot	Airflow, cfm/ft.	30	45	60	75	90	105	120
		Static Pressure	0.032	0.073	0.130	0.203	0.292	0.398	0.520
		NC (Noise Criteria)	<10	14	24	31	37	42	48
		Throw	6-10-16	10-14-19	13-16-22	14-18-25	16-19-27	17-21-29	18-22-32
	2-Slot	Airflow, cfm/ft.	60	85	110	135	160	185	210
		Static Pressure	0.032	0.065	0.109	0.164	0.231	0.309	0.398
		NC (Noise Criteria)	<10	16	24	31	36	41	45
		Throw	9-14-22	13-19-27	17-21-30	19-24-33	21-26-36	23-28-39	24-29-42
50MM Slot	1-Slot	Airflow, cfm/ft.	30	50	70	90	110	130	150
		Static Pressure	0.020	0.057	0.111	0.184	0.274	0.383	0.510
		NC (Noise Criteria)	<10	11	22	30	36	41	46
		Throw	5-9-16	9-14-20	13-17-24	16-19-27	17-21-30	19-23-33	20-25-35
	2-Slot	Airflow, cfm/ft.	60	95	130	165	200	235	270
		Static Pressure	0.020	0.051	0.096	0.154	0.227	0.313	0.413
		NC (Noise Criteria)	<10	12	22	30	36	41	46
		Throw	7-12-22	13-19-28	17-23-33	21-26-37	23-29-41	25-31-44	27-33-47

- All pressures are in inches of water.
- Throw data based on active sections 4 feet long.
- Data obtained from tests conducted in accordance with ASHRAE Standard 2006-70 "Method of Testing for Rating the Performance of Air Outlets and Inlets"
- Isothermal throw values given are for terminal velocities of 100, 150 and 50 fpm
- Throw values for HighThrow units are based on a one-way discharge from the slot.
- Throw Correction Multiplier for length :

Length, Feet	2	4	8	10	12
Throw Correction	0.72	0	1.5	1.7	1.8

Ordering Key:

F	B	F	-	I	/	25
FBR - Flush Type Flow Bar Diffuser FBR - Recessed Type Flow Bar Diffuser						
I - I Slot 2 - 2 Slots						
25 - 25mm Slot Width 38 - 38mm Slot Width 50 - 50mm Slot Width						





BETA
i n d u s t r i a l

Dubai Head Office:
Tel: +971 4 706 9777
Fax: +971 4 706 9787

Abu Dhabi Branch:
Tel: +971 2 645 0107
Fax: +971 2 645 0167

Saudi Arabia:
Tel: +966 1 265 4551
Fax: +966 1 265 4550

Email: betai@betag.com
P.O.Box 50708, Dubai
United Arab Emirates

www.betag.com

