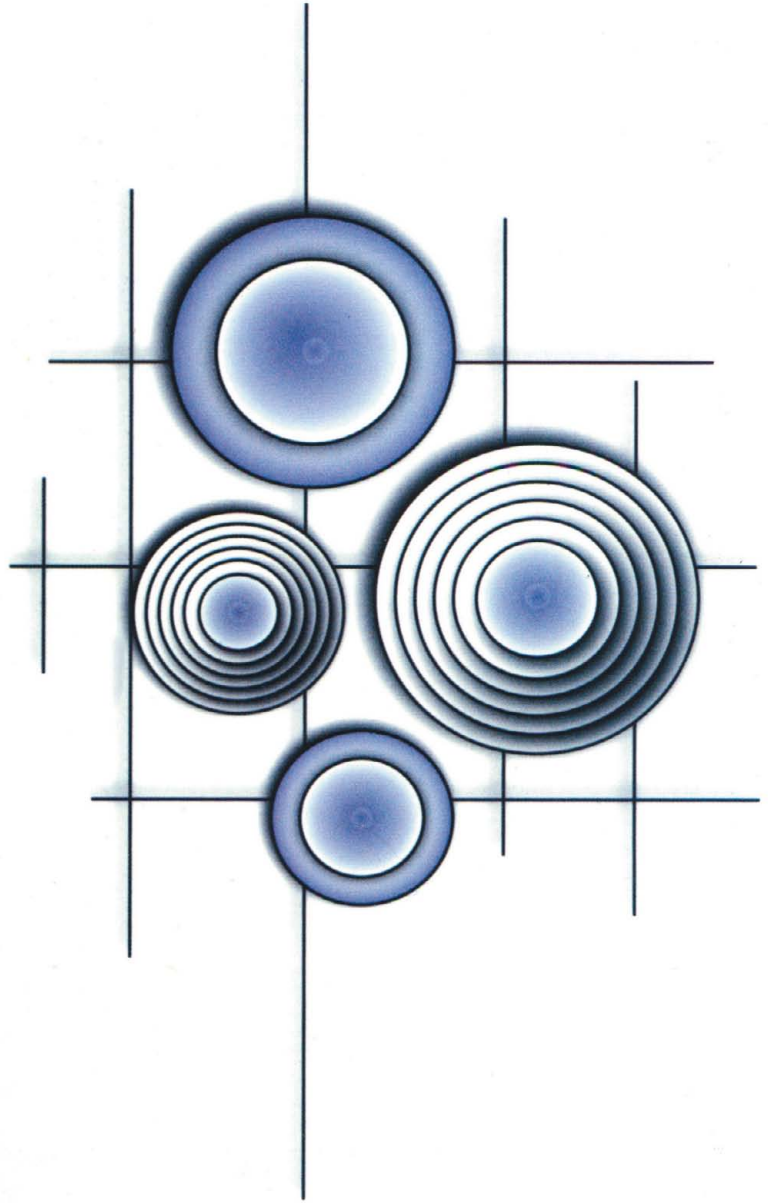


WE SHAPE
AIR



BETA
industrial
PRODUCTS CATALOGUE

PRODUCT BULLETIN

6





BETA
i n d u s t r i a l

index

- 
- >> **SUPPLY & RETURN ROUND DIFFUSERS - SRD & RRD** 1-2
 - >> **ROUND DIFFUSER SIMPLE - RDS** 3-4
 - >> **DISC VALVE - DVR** 5

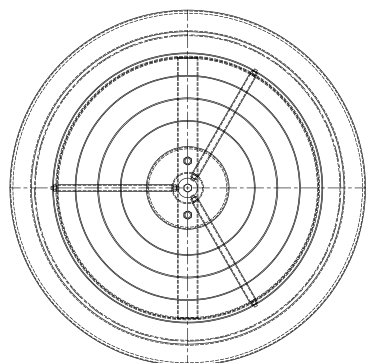
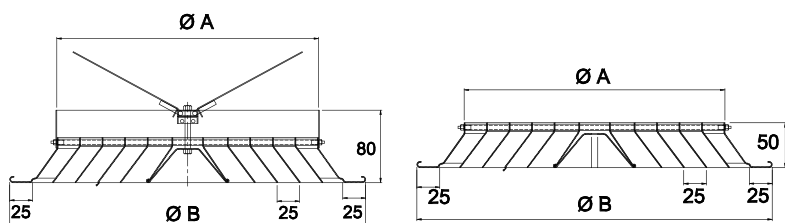


RETURN ROUND DIFFUSER - RRD & SUPPLY ROUND DIFFUSER - SRD

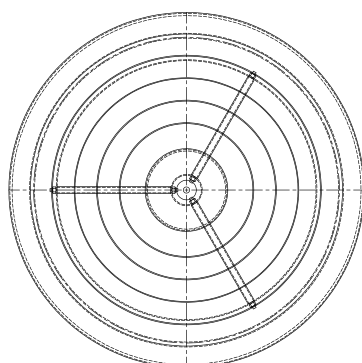


Description:

- RRD & SRD are made of spindled Aluminum sheet.
- Core blades are fixed. Core is removable.
- Powder coated to RAL 9010/9016 as standard finish. Other colors are optional.
- SRD comes with black butterfly damper made of GI.
- RRD can be installed by a screw at the face center as standard, or at rear bracket as optional.
- SRD can be installed by the rear bracket of the damper.



SRD



RRD

Dimensions:

Size	A mm	B mm
100	92	195
150	143	241
200	193	292
250	241	342
300	290	394
350	344	445





Performance Data:

SIZE	Velocity (FPM)	300	400	500	600	700	800	900	1000
	Pressure (IWG)	0.006	0.010	0.016	0.023	0.031	0.040	0.050	0.062
4"	CFM		29	41	48	60	71	82	95
	THROW (FT)		1.5	2.5	3.0	3.5	4.0	4.5	5.0
	dBA		24	26	30	35	38	42	48
6"	CFM		56	66	81	96	106	121	136
	THROW (FT)		2.5	3	3.5	4	4.5	5	5.5
	dBA		18	22	26	30	35	38	40
8"	CFM	71	91	116	136	161	181	201	226
	THROW (FT)	2	3	3.5	4.5	5	5.5	6.5	7
	dBA	15	17	19	25	32	34	37	38
10"	CFM	106	141	176	211	241	276	311	346
	THROW (FT)	2.5	3.5	4.5	5	6	7	8	8.5
	dBA	15	16	18	24	31	32	36	37
12"	CFM	151	201	251	301	351	401	451	501
	THROW (FT)	3	4	5	6	7.5	8.5	9	10.5
	dBA	15	15	17	23	30	31	35	36
14"	CFM	191	251	316	376	441	501	566	626
	THROW (FT)	3.5	4.5	5.5	6.5	8	9	10	11
	dBA	15	15	16	22	28	30	33	35

Ordering Key:

R	R	D	F	I	S	O
RRD: RETURN ROUND DIFFUER (WITHOUT DAMPER)			F: FACE CENTER SCREW FOR FIXING - STANDARD FOR RRD B: REAR BRACKET FOR FIXING - STANDARD FOR SRD			
SRD: SUPPLY ROUND DIFFUSER (WITH DAMPER)						
SIZE: 100, 150, 200, 250, 300, OR 350						

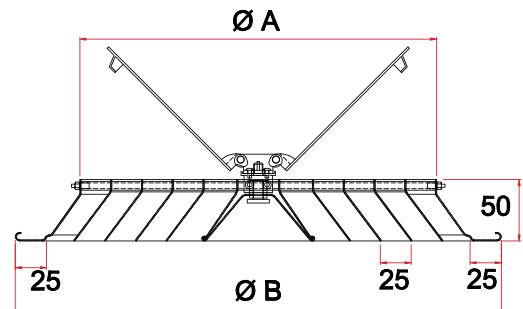




ROUND DIFFUSER SIMPLE - RDS

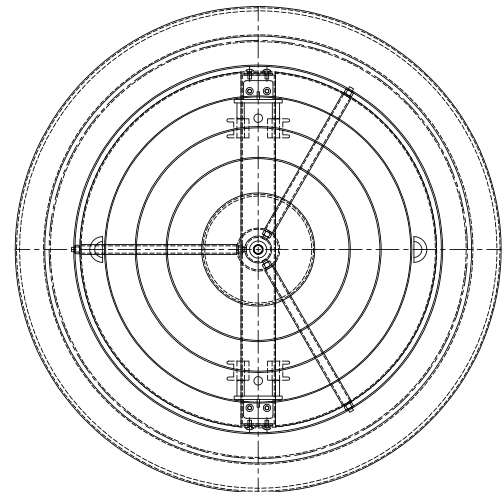
Description:

- RDS is made of spindled Aluminum sheet.
- Core blades are fixed. Core is removable.
- Powder coated to RAL 9010/9016 as standard finish.
- RDS is equipped with black butterfly plastic damper.
- RDS can be installed by the bracket at rear of the damper.



Dimensions:

Ø	AØ	DØ	HØ
150	257	148	220
200	309	203	271
250	362	249	324
300	415	298	377
350	458	342	416



Ordering Key:

R	D	S	B	I	S	O
RDS: ROUND DIFFUSER SIMPLE						
B: REAR BRACKET FOR FIXING - STANDARD FOR RDS						
SIZE: 150,200,250,300 OR 350						





Performance Data:

Model M ³ /H		6"	8"	10"	12"	14"
100	Vel	2.75	1.20	0.77	0.54	0.40
	P	0.70	0.28	0.23	0.21	0.20
	Amin	0.50	0.33	0.27	0.22	0.19
	Amax	0.92	0.70	0.61	0.55	0.51
	dbA	<15	<15	<15	<15	<15
150	Vel	4.12	1.79	1.16	0.81	0.60
	P	1.33	0.40	0.28	0.23	0.21
	Amin	0.75	0.49	0.40	0.33	0.29
	Amax	1.25	0.92	0.79	0.70	0.64
	dbA	<15	<15	<15	<15	<15
200	Vel	5.50	2.39	1.55	1.08	0.81
	P	2.22	0.57	0.35	0.27	0.23
	Amin	1.00	0.66	0.53	0.44	0.38
	Amax	1.59	1.13	0.96	0.85	0.77
	dbA	<15	<15	<15	<15	<15
250	Vel	6.87	2.99	1.94	1.35	1.01
	P	3.37	0.79	0.44	0.31	0.26
	Amin	1.24	0.82	0.66	0.55	0.48
	Amax	1.92	1.35	1.14	0.99	0.89
	dbA	32	18	<15	<15	<15
300	Vel	8.25	3.59	2.32	1.61	1.21
	P	4.77	1.05	0.55	0.36	0.29
	Amin	1.49	0.99	0.79	0.66	0.57
	Amax	2.25	1.57	1.32	1.14	1.02
	dbA	37	24	<15	<15	<15
350	Vel	9.62	4.18	2.71	1.88	1.41
	P	6.42	1.37	0.68	0.43	0.32
	Amin	1.74	1.15	0.93	0.77	0.67
	Amax	2.58	1.79	1.49	1.29	1.15
	dbA	41	28	18	<15	<15
400	Vel	10.99	4.78	3.10	2.15	1.61
	P	8.33	1.73	0.83	0.50	0.36
	Amin	1.99	1.31	1.06	0.88	0.76
	Amax	2.91	2.01	1.67	1.43	1.28
	dbA	45	32	21	<15	<15
450	Vel	12.37	5.38	3.49	2.42	1.81
	P	10.50	2.14	1.01	0.58	0.41
	Amin	2.24	1.48	1.19	0.99	0.86
	Amax	3.24	2.23	1.84	1.58	1.40
	dbA	48	35	25	16	<15
500	Vel		5.98	3.87	2.69	2.02
	P		2.60	1.20	0.67	0.46
	Amin		1.64	1.32	1.10	0.95
	Amax		2.45	2.02	1.73	1.53
	dbA		38	28	19	<15
600	Vel		7.17	4.65	3.23	2.42
	P		3.66	1.64	0.89	0.58
	Amin		1.97	1.59	1.32	1.14
	Amax		2.88	2.37	2.02	1.78
	dbA		43	33	24	17

Model M ³ /H		6"	8"	10"	12"	14"
700	Vel		8.37	5.42	3.37	2.82
	P		4.91	2.17	1.14	0.72
	Amin		2.30	1.85	1.54	1.33
	Amax		3.32	2.72	2.31	2.04
	dbA		47	37	29	21
800	Vel			6.20	4.31	3.22
	P			2.78	1.44	0.89
	Amin			2.11	1.76	1.52
	Amax			3.08	2.61	2.29
	dbA			41	32	25
900	Vel			6.97	4.84	3.67
	P			3.47	1.77	1.07
	Amin			2.38	1.98	1.72
	Amax			3.43	2.90	2.55
	dbA			44	36	29
1000	Vel			7.75	5.38	4.03
	P			4.23	2.14	1.28
	Amin			2.64	2.20	1.91
	Amax			3.78	3.19	2.80
	dbA			8.52	39	32
1100	Vel			5.08	5.92	4.43
	P			2.91	2.55	1.51
	Amin			4.13	2.42	2.10
	Amax			50	3.49	3.05
	dbA				41	34
1200	Vel				6.46	4.84
	P				3.00	1.76
	Amin				2.64	2.29
	Amax				3.78	3.31
	dbA				44	37
1300	Vel				7.00	5.24
	P				3.49	2.04
	Amin				2.86	2.48
	Amax				4.07	3.56
	dbA				46	39
1500	Vel					6.05
	P					2.65
	Amin					2.86
	Amax					4.07
	dbA					43
1700	Vel					6.85
	P					3.35
	Amin					3.24
	Amax					4.58
	dbA					46
2000	Vel					7.66
	P					4.14
	Amin					3.62
	Amax					5.08
	dbA					50

Vel = Velocity m/s
 P = Pressure Drop, mm.G.W
 Amin = Throw, minimum

Amax = Throw, maximum
 db = Level of noise, dbA





DISC VALVE - DVR



Description:

- DVR is made of steel sheet
- Adjustable disc.
- Powder coated to RAL 9010/9016 as standard finish.
- DVR is installed by a built-in rear frame.

Nominal (n). mm.						Air Flow, M ³ /H									
S = Opening in mm	80	100	125	160	200	Qv (M ³ /H)	20	40	60	80	100	150	200	300	
	-9					ΔP_t (Pa)	90								
						NR	-								
	-6	-9				ΔP_t (Pa)	45	170							
						NR	-	20							
	-3	-6	-12			ΔP_t (Pa)	20	80	200	300					
						NR	-	12	25	28					
	0	-3			-20	ΔP_t (Pa)	-10	50	120	200					
						NR	-	-	17	26					
	6		-6			ΔP_t (Pa)		30	70	120	200				
						NR		-	12	20	28				
	9	6				ΔP_t (Pa)		20	40	80	130				
						NR		-	-	15	22				
			0		-15	ΔP_t (Pa)		15	30	60	80	200			
						NR		-	-	11	18	30			
	12	6			ΔP_t (Pa)		10	20	40	60	150				
					NR		-	-	-	13	27				
			0		ΔP_t (Pa)			15	25	40	90	170			
					NR			-	-	9	21	30			
		12	6		ΔP_t (Pa)				15	25	60	100	220		
					NR				-	-	15	25	31		
			12	0	ΔP_t (Pa)					15	30	60	150		
					NR					-	10	18	30		

Ordering Key:

D	V	R	-	I	6	0
DVR: DISC VALVE						
REAR BUILT-IN FRAME FOR FIXING STANDARD FOR DVR						
SIZE: 80, 100, 125, 160 OR 200						





BETA
industrial

Dubai Head Office:
Tel: +971 4 706 9777
Fax: +971 4 706 9787

Abu Dhabi Branch:
Tel: +971 2 645 0107
Fax: +971 2 645 0167

Saudi Arabia:
Tel: +966 1 265 4551
Fax: +966 1 265 4550

Email: betai@betag.com
P.O.Box 50708, Dubai
United Arab Emirates

www.betag.com

