



ROUND VOLUME CONTROL DAMPER - VDR MODEL STEEL BLADE

STANDARD CONSTRUCTION

- Frame: 0.9mm thick galvanized steel sheet.
- Blades: 0.9mm thick galvanized steel sheet.
- Axles: 1/2" square hollow Aluminum extruded profile.
- Bushing: Self lubricating plastic bushes.
- Quadrant: Plated steel with wing nut to lock the blades position. Marked to show the position of the blades.
- Seal: Foam gasket.
- Sizes: 4, 5, 6, 8, 10, 12, 14, 16, 18, 20, 22, 24, 26 & 28 inch diameter.



Plastic Bushes

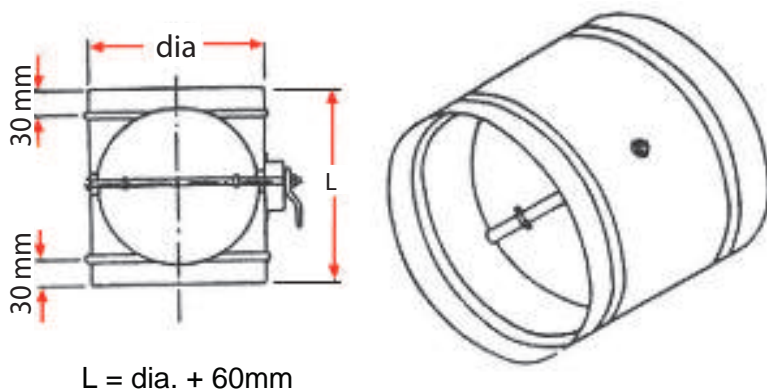
Model VDRG2P



Model MVDRG2P



DIMENSIONS





ROUND VOLUME CONTROL DAMPER - VDR MODEL STEEL BLADE

OPTIONS

| FEATURE | MODEL | MANUAL QUADRANT MODELS | | | | | | MOTORIZED MODELS | | | | | | | | | |
|-----------------------------|-----------------------------------|------------------------|--------|--------|--------|--------|--------|------------------|-----------|---------|---------|---------|---------|---------|---------|------------|------------|
| | | VDRG2P | VDRG2B | VDRG2X | VDRG2S | VDRS2X | VDRS2S | VDRG2-SMC | VDRS2-SMC | MVDRG2P | MVDRG2B | MVDRG2X | MVDRG2S | MVDRS2X | MVDRS2S | MVDRG2-SMC | MVDRS2-SMC |
| DRIVE | MANUAL QUADRANT | ✓ | ✓ | ✓ | ✓ | ✓ | ✓ | ✓ | ✓ | | | | | | | | |
| | ELECTRIC ACTUATOR | | | | | | | | | ✓ | ✓ | ✓ | ✓ | ✓ | ✓ | ✓ | ✓ |
| BLADE TYPE | SINGLE SKIN | ✓ | ✓ | ✓ | ✓ | ✓ | ✓ | ✓ | ✓ | ✓ | ✓ | ✓ | ✓ | ✓ | ✓ | ✓ | ✓ |
| USE | CONTROL (AIR BALANCING) | ✓ | ✓ | ✓ | ✓ | ✓ | ✓ | ✓ | ✓ | ✓ | ✓ | ✓ | ✓ | ✓ | ✓ | ✓ | ✓ |
| | LOW LEAKAGE (AIR TIGHT SHUTT OFF) | | | | | | | | | | | | | | | | |
| CONSTRUCTION | GALVANIZED STEEL | ✓ | ✓ | ✓ | ✓ | | | ✓ | | ✓ | ✓ | ✓ | ✓ | | | ✓ | |
| | STAINLESS STEEL 304 | | | | | ✓ | ✓ | | ✓ | | | | | ✓ | ✓ | | ✓ |
| BUSHING/ BEARING TYPE | PLASTIC BUSHES | ✓ | | | | | | | | ✓ | | | | | | | |
| | BRASS BUSHES | | ✓ | | | | | ✓ | ✓ | | ✓ | | | | | ✓ | ✓ |
| | S.S. BUSHES | | | ✓ | | ✓ | | | | | | ✓ | | ✓ | | | |
| | S.S. BEARING | | | | ✓ | | ✓ | | | | | ✓ | | ✓ | | | |

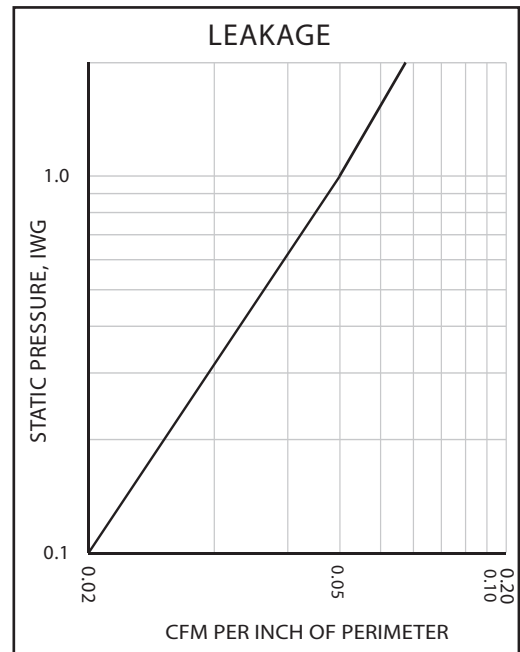
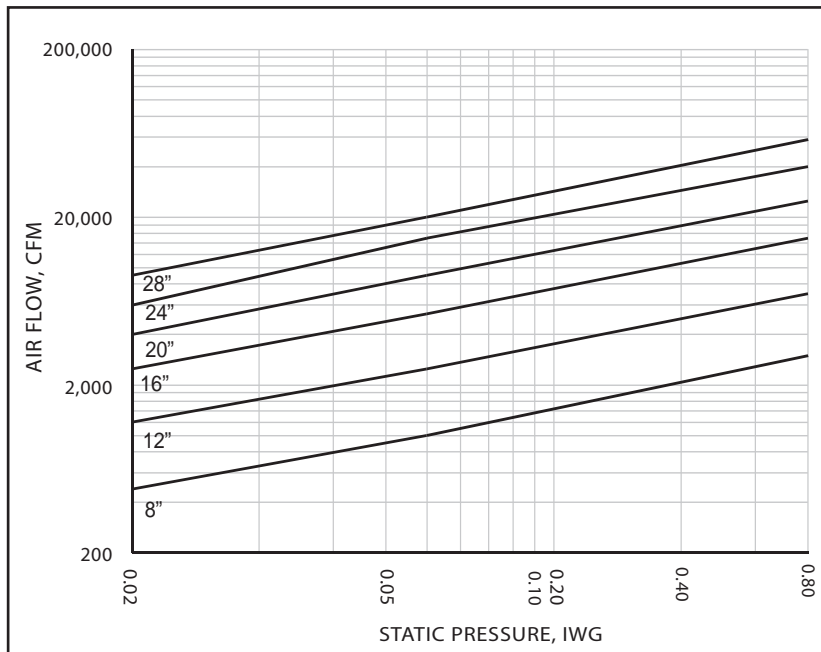
**Other options of S.S. bushes "X" and S.S. bearing "S" are shown at the ordering key.





ROUND VOLUME CONTROL DAMPER - VDR MODEL STEEL BLADE

PERFORMANCE DATA



Ordering Key:



| M | V | DR | G2 | P | SIZE |
|--|---|----|----|---|------|
| - - : QUADRANT-DRIVED M: MOTORIZED | | | | | |
| V: SINGLE SKIN BLADE | | | | | |
| DR: CONTROL DAMPER ROUND TYPE | | | | | |
| G1: 0.7MM G.I. CONSTRUCTION G2: 0.9MM G.I. CONSTRUCTION (STANDARD) G3: 1.2MM G.I. CONSTRUCTION G4: 1.5MM G.I. CONSTRUCTION S1: 0.8MM S.S. 304 CONSTRUCTION S2: 1.0MM S.S. 304 CONSTRUCTION S3: 1.2MM S.S. 304 CONSTRUCTION | | | | | |
| P: PLASTIC BUSHES (STANDARD) B: BRASS BUSHES X: S.S. BUSHES S: S.S. BEARINGS | | | | | |
| SIZE: DIAMETER OF 4, 5, 6, 8, 10, 12, 14, 16, 18, 20, 22, 24, 26 or 28 INCH | | | | | |

