

Centrifugal Cabinet Fan



**SUPER
VENT**



BETA
Industrial

PRODUCTS CATALOGUE

Version - June 2019

PRODUCT BULLETIN

SV-1



SUPERVENT

Single and Twin Cabinet Fans

Forward Curved Direct Drive Centrifugal Fans

Supervent Single & Twin Cabinet Fans are general purpose ventilation units having high versatile applications in modern ventilation systems. These versatile low noise air movers provide reliable economical and effective ventilation. The Twin fan assures continuous operation. Each model of this series has two similar capacity fans which enable flexibility of independent and continuous operation.

GENERAL DESCRIPTION

The Low noise level makes these super- silenced cabinet fans an exclusive and unequalled range. Supervent cabinet fans are suitable for being installed in small areas where limited dimensions and easy installations are required. Other peculiar features are the possibility of easy removal of motor-impeller assemble for maintenance. Fans are suitable to move air with a temperature range from -10°C to +50°C.

CONSTRUCTION

The Cabinet fabricated from pre-galvanized sheet steel is lined with acoustic insulation. Fan includes single phase IP44 electric motor with class B insulation with high efficiency low sound having forward curved impeller.

ADVANTAGES

- * Compact and space saving design.
- * Housings are weather resistant, fabricated from pre galvanized sheet steel.
- * Cabinets are provided with acoustic lining.
- * Stainless steel and aluminium cabinets are available on request.
- * Epoxy or powder coating of cabinet available on request.
- * Fans have external rotor motor with built-in thermal overload protection (on request).
- * 100% speed controllable external rotor motor.
- * Extremely low starting current.
- * Cabinets are provided with Mounting brackets for installation.
- * Single inlet forward curved direct drive centrifugal flow fans.





APPLICATIONS

Supervent Single & Twin cabinet fans are versatile in application. These fans can be used in ventilation, recirculation and air conditioning systems for modern residential, commercial and industrial zones. These fans can be used for inline, roof mount or ceiling suspended applications.

ACCESSORIES

- * Cabinets can be provided with optional inlet & outlet necks which may be circular or rectangular as per site requirements.
- * Back Draught Shutters available on request.
- * Optional filters available on request.
- * Single phase auto change over panel available for twin cabinet fans.

TECHNICAL DATA

PERFORMANCE DATA

Model	V / Ph / Hz	Power W	Current A	Speed RPM	Max Airflow CFM	Max Pressure In wg	dB(A) @ 3mtrs
SV-CFCB 125 - 50	220 / 1 / 50	76	0.38	2633	140	1.20	55
SV-CFCB 140 - 60	220 / 1 / 50	127	0.60	2577	242	1.58	54
SV-CFCB 160 - 60	220 / 1 / 50	187	0.80	2492	280	1.87	54
SV-AORB	220 / 1 / 50	526	2.80	2778	615	2.80	64

*Performance certified is for installation type D: Ducted inlet, Ducted outlet. Speed (RPM or RPS) shown is nominal. Performance is based on the actual speed of test. Performance ratings do not include the effects of appurtenances. dB(A) levels are not licensed by AMCA International.





Super Vent Cabinet Fans

By Beta Industrial LLC

AMCA CERTIFICATION

Beta Industrial LLC certifies that the SUPERVENT model range “SV – CFCB (Single cabinet fans)” shown herein are licensed to bear the AMCA seal. The ratings shown are based on tests and procedures performed in accordance with AMCA Publication 211 and AMCA Publication 311 and comply with the requirements of the AMCA Certified Ratings Program.



OCTAVE BAND DATA

Model	Speed RPM	Max Airflow CFM	Max Pressure In wg	Octave Band Frequency L _{wi} (dB)							
				63 Hz	125 Hz	250 Hz	500 Hz	1kHz	2kHz	4kHz	8kHz
SV-CFCB 125 - 50	2633	140	1.20	60	65	71	68	60	55	47	46
SV-CFCB 140 - 60	2577	242	1.58	65	68	72	64	58	55	52	51
SV-CFCB 160 - 60	2492	280	1.87	68	71	73	62	56	51	50	49
SV-AORB	2778	615	2.80	76	79	81	70	71	69	61	61

*Performance certified is for Installation Type D: Ducted Inlet, Ducted Outlet

*The sound power level ratings shown are in decibels, referred to 10⁻¹² watts, calculated per AMCA International Standard 301.”

Ratings include the effects of duct end correction.





Super Vent Cabinet Fans

By Beta Industrial LLC

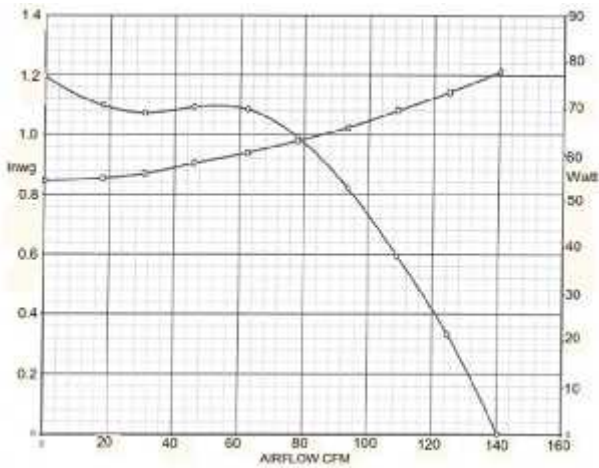
PERFORMANCE DATA

Model	V / Ph / Hz	Power W	Current A	Speed RPM	Max Airflow CFM	Max Pressure In wg
SV-CFCB 125 - 50	220 / 1 / 50	76	0.38	2633	140	1.20
SV-CFCB 140 - 60	220 / 1 / 50	127	0.60	2577	242	1.58
SV-CFCB 160 - 60	220 / 1 / 50	187	0.80	2492	280	1.87
SV-AORB	220 / 1 / 50	526	2.80	2778	615	2.80

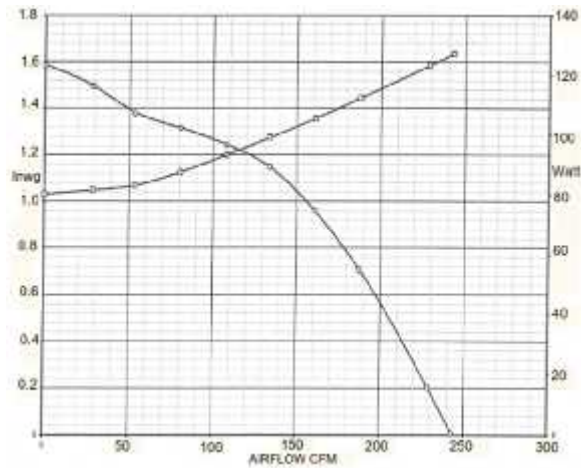


PERFORMANCE CURVES

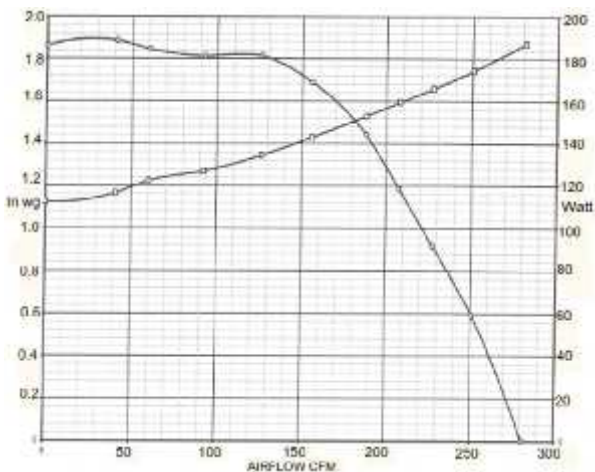
SV CFCB 125-50



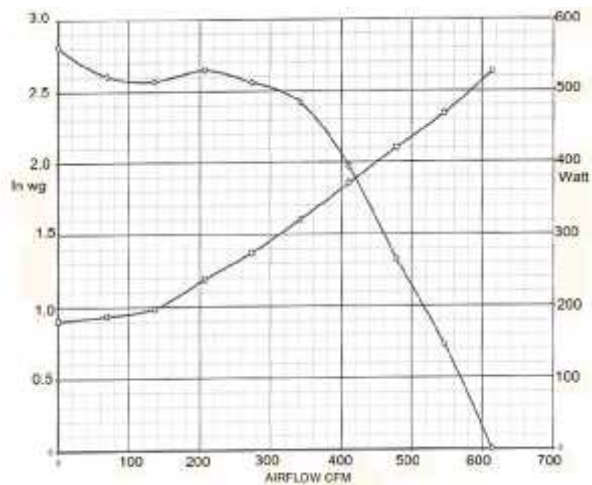
SV CFCB 140-60



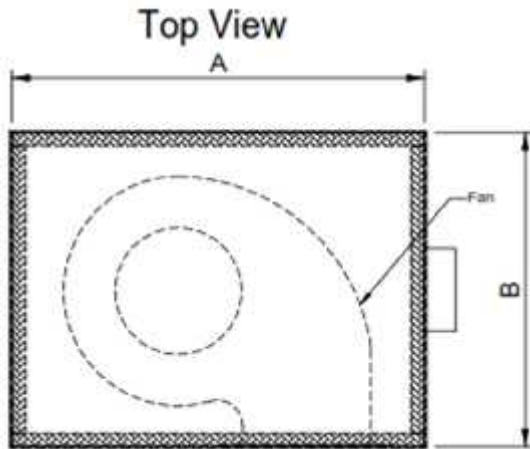
SV CFCB 160-60



SV AORB

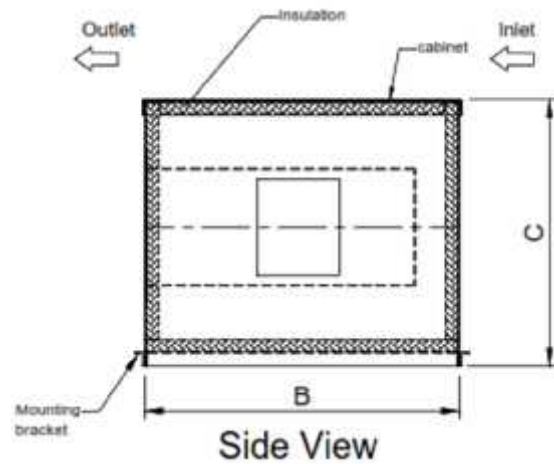
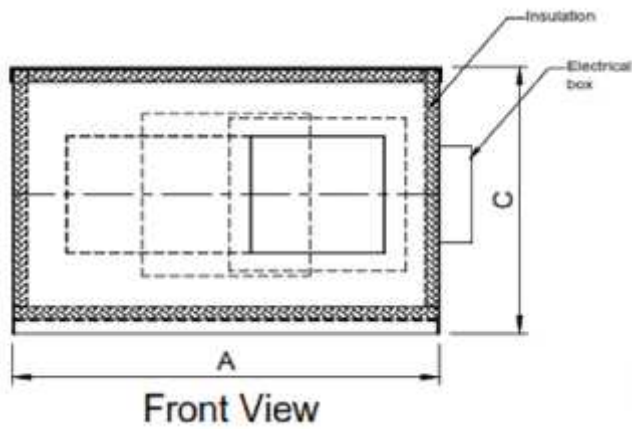


CABINET DRAWINGS (Single Cabinet)

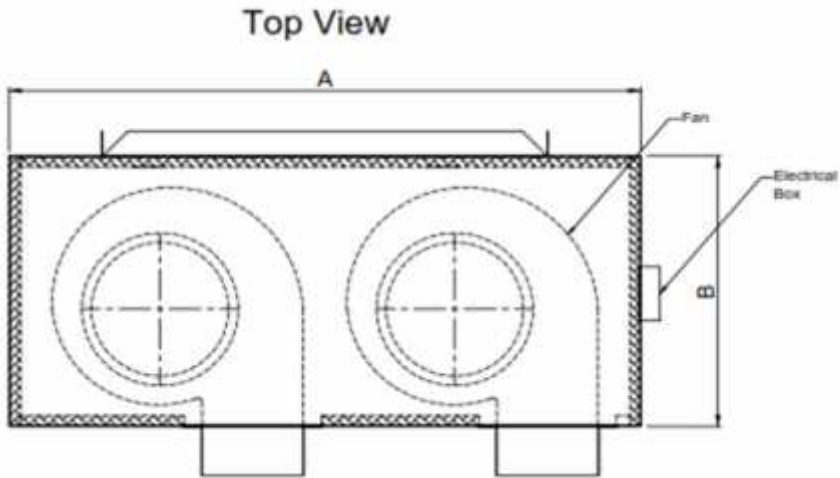


Cabinet Dimensions (mm)

Model	A	B	C
SV CFCB 125-50	273	210	200
SV CFCB 140-60	283	240	230
SV CFCB 160-60	330	300	245
SV AORB	400	330	280

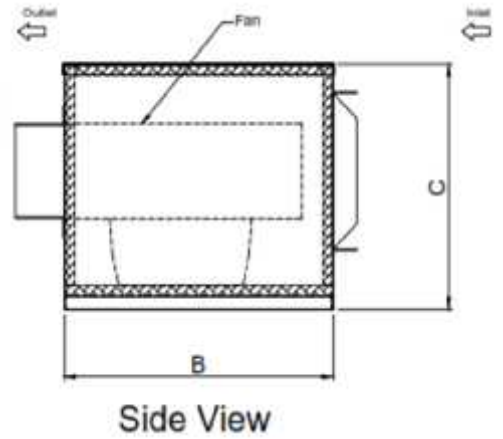
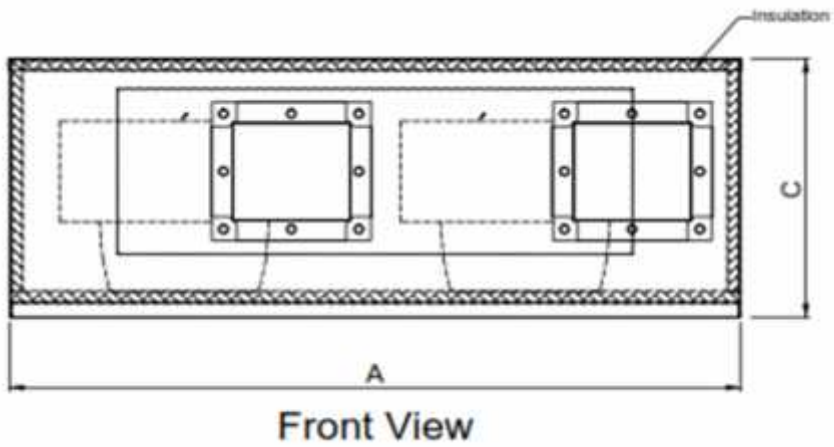


CABINET DRAWINGS (Twin Cabinet)



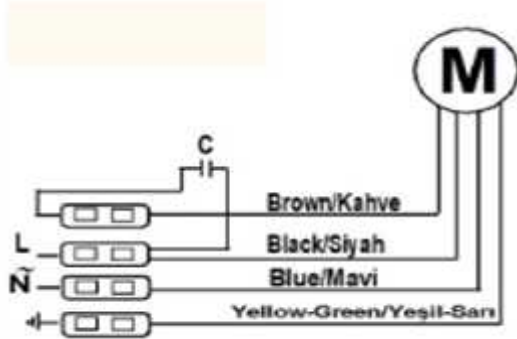
Cabinet Dimensions (mm)

Model (Twin fan)	A	B	C
SV/T CFCB 125-50	500	210	190
SV/T CFCB 140-60	560	240	230
SV/T CFCB 160-60	660	300	245
SV/T AORB	750	330	280

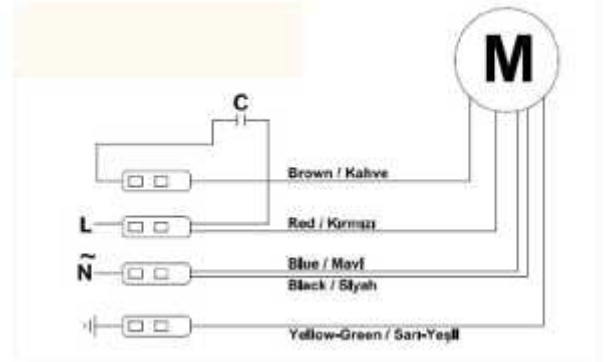


MOTOR WIRING DIAGRAM

SV-CFCB



SV-AORB





BETA
industrial

Saudi Arabia:
Tel: +966 1 265 4551
Fax: +966 1 265 4550

Dubai Head Office:
Tel: +971 4 706 9777
Fax: +971 4 706 9787

Abu Dhabi Branch:
Tel: +971 2 645 0107
Fax: +971 2 645 0167

Email: betai@betag.com
P.O.Box 50708, Dubai
United Arab Emirates

www.betag.com