



MULTIPLE BLADES Rectangular-To-Rectangular Single Duct Variable Air Volume Terminal – Models RM and RM-DS

Model: RM-DS



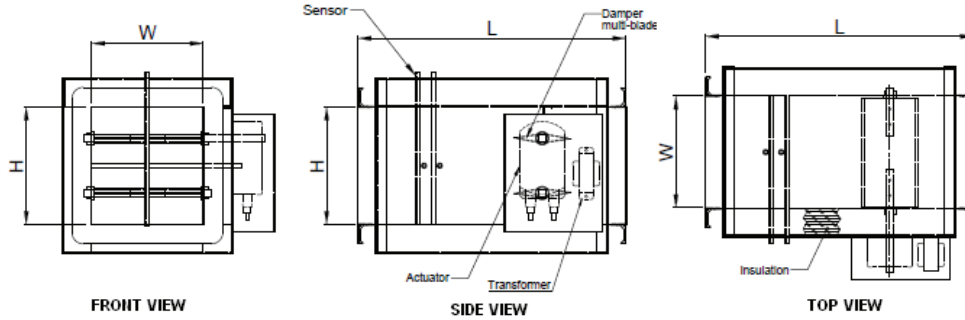
Description:

- Model RM is a Multiple-blades air terminal with Rectangular inlet and outlet.
- Casing is made of 0.9mm & damper blade is made of 1.2mm; galvanized steel sheet.
- Blades are with rubber gasket, and self-lubricating plastic bushes.
- Damper shaft is made of solid square ½X½ inch G.I.
- Equipped with a multi-point flow-cross inlet flow sensor made of Aluminum.
- Air tightness complies with DIN 1946 Part 4. Housing leakage complies with Class II, VDI 3803 – DIN 24194.
- Model RM-DS has Double-Skin casing with 1" insulation made of strong resilient dual density glass fibers 24kg/m³ that conform to NFPA-90A & 255, UL 181 and ASTM C665.





MULTIPLE BLADES Rectangular-To-Rectangular Single Duct Variable Air Volume Terminal – Models RM and RM-DS



W=200mm		L=580mm	
H (mm)	F _{min} (m ³ /h)	F _{max} (m ³ /h)	
210	302	1512	
310	446	2232	
410	590	2952	
510	734	3672	
610	878	4392	
710	1022	5112	
810	1166	5832	
910	1310	6552	
1010	1454	7272	

W=300mm		L=580mm	
H (mm)	F _{min} (m ³ /h)	F _{max} (m ³ /h)	
210	454	2268	
310	670	3348	
410	886	4428	
510	1102	5508	
610	1318	6588	
710	1534	7668	
810	1750	8748	
910	1966	9828	
1010	2182	10908	

W=400mm		L=580mm	
H (mm)	F _{min} (m ³ /h)	F _{max} (m ³ /h)	
210	605	3024	
310	893	4464	
410	1181	5904	
510	1469	7244	
610	1757	8784	
710	2045	10224	
810	2333	11664	
910	2621	13104	
1010	2909	14544	

W=500mm		L=580mm	
H (mm)	F _{min} (m ³ /h)	F _{max} (m ³ /h)	
210	756	3780	
310	1116	5580	
410	1476	7380	
510	1836	9180	
610	2196	10980	
710	2556	12780	
810	2916	14580	
910	3276	16380	
1010	3636	18180	

W=600mm		L=580mm	
H (mm)	F _{min} (m ³ /h)	F _{max} (m ³ /h)	
210	907	4536	
310	1339	6696	
410	1771	8856	
510	2203	11016	
610	2635	13176	
710	3067	15336	
810	3499	17496	
910	3931	19656	
1010	4363	21816	

W=700mm		L=580mm	
H (mm)	F _{min} (m ³ /h)	F _{max} (m ³ /h)	
210	1058	5292	
310	1562	7812	
410	2066	10332	
510	2570	12852	
610	3074	15372	
710	3578	17892	
810	4082	20412	
910	4586	22932	
1010	5090	25452	

W=800mm		L=580mm	
H (mm)	F _{min} (m ³ /h)	F _{max} (m ³ /h)	
210	1210	6048	
310	1786	8928	
410	2362	11808	
510	2938	14688	
610	3514	17568	
710	4090	20448	
810	4666	23328	
910	5242	26208	
1010	5818	29088	

W=900mm		L=580mm	
H (mm)	F _{min} (m ³ /h)	F _{max} (m ³ /h)	
210	1361	6804	
310	2009	10044	
410	2657	13284	
510	3305	16524	
610	3953	19764	
710	4601	23004	
810	5249	26244	
910	5897	29484	
1010	6545	32724	

W=1000mm		L=580mm	
H (mm)	F _{min} (m ³ /h)	F _{max} (m ³ /h)	
210	1512	7560	
310	2232	11160	
410	2952	14760	
510	3672	18360	
610	4392	21960	
710	5112	25560	
810	5832	29160	
910	6552	32760	
1010	7272	36360	

W=1100mm		L=580mm	
H (mm)	F _{min} (m ³ /h)	F _{max} (m ³ /h)	
210	1663	8316	
310	2455	12276	
410	3247	16236	
510	4039	20196	
610	4831	24156	
710	5623	28116	
810	6415	32076	
910	7207	36036	
1010	7999	39996	

W=1200mm		L=580mm	
H (mm)	F _{min} (m ³ /h)	F _{max} (m ³ /h)	
210	1814	9072	
310	2678	13392	
410	3542	17712	
510	4406	22032	
610	5270	26352	
710	6134	30672	
810	6998	34992	
910	7862	39312	
1010	8726	43632	





MULTIPLE BLADES Rectangular-To-Rectangular Single Duct Variable Air Volume Terminal – Models RM and RM-DS

DISCHARGE SOUND:

W mm	H mm	AREA m ²	AIR VELOCITY m/s	Δ P in Pa		
				200 dB(A)	500 dB(A)	1000 dB(A)
600	210	0.126	2	53	62	69
			6	56	66	73
			8	57	67	74
			10	58	66	75
600	310	0.186	2	54	63	70
			6	57	67	74
			8	59	69	79
			10	60	70	76
600	410	0.246	2	55	64	72
			6	58	68	75
			8	59	69	76
			10	60	70	77
600	510	0.306	2	56	65	72
			6	59	69	76
			8	60	70	77
			10	61	71	78
600	610	0.366	2	56	66	73
			6	60	69	76
			8	61	70	77
			10	62	71	78
600	710	0.426	2	59	68	75
			6	62	72	79
			8	63	73	80
			10	64	74	81
600	810	0.486	2	59	69	76
			6	63	72	79
			8	64	73	80
			10	65	74	81
600	910	0.546	2	60	69	76
			6	63	72	80
			8	64	73	81
			10	65	75	82
600	1010	0.606	2	60	69	77
			6	63	73	80
			8	64	74	81
			10	65	75	82

Correction factor "C" to be added for Discharge Sound of other widths:

W mm	C
200	3
250	2
300	2
350	2
400	1
450	1
500	1
600	0
700	0
800	-1
900	-1
1000	-2
1100	-3
1200	-3
1200	-3





MULTIPLE BLADES Rectangular-To-Rectangular Single Duct Variable Air Volume Terminal – Models RM and RM-DS

RADIATED SOUND:

W mm	H mm	AREA m ²	AIR VELOCIT Y m/s	200 Pa		Δ P 500 Pa		1000 Pa	
				RM	RM-DS	RM	RM-DS	RM	RM-DS
				dB(A)	dB(A)	dB(A)	dB(A)	dB(A)	dB(A)
600	210	0.126	2	41	29	49	37	55	43
			6	48	36	55	43	61	49
			8	51	39	59	47	65	53
			10	4	42	62	50	68	56
600	310	0.186	2	43	31	51	39	57	45
			6	50	38	58	46	63	51
			8	54	42	62	50	69	57
			10	56	44	64	52	70	58
600	410	0.246	2	45	33	53	41	59	47
			6	52	40	60	48	65	53
			8	56	44	63	51	69	57
			10	58	46	65	53	71	59
600	510	0.306	2	46	34	54	42	60	48
			6	54	42	61	49	67	55
			8	56	44	64	52	70	58
			10	59	47	67	55	73	61
600	610	0.366	2	47	35	55	43	61	49
			6	55	43	62	50	68	56
			8	58	46	66	54	72	60
			10	60	48	65	58	74	62
600	710	0.426	2	50	38	58	46	64	52
			6	58	46	65	53	71	59
			8	61	49	69	57	75	63
			10	63	51	71	59	76	64
600	810	0.486	2	51	39	59	47	64	52
			6	58	46	66	54	72	60
			8	62	50	69	57	75	63
			10	63	51	71	59	77	65
600	910	0.546	2	51	39	59	47	65	53
			6	59	47	67	55	73	61
			8	62	50	70	58	76	64
			10	64	52	72	60	78	66
600	1010	0.606	2	52	40	60	48	66	54
			6	59	47	72	60	78	66
			8	63	51	71	59	77	65
			10	65	53	72	60	78	66

Correction factor "C" to be added for Radiated Sound of other widths:

W mm	C
200	3
250	2
300	2
350	2
400	1
450	1
500	1
600	0
700	0
800	-1
900	-1
1000	-2
1100	-2
1200	-2





MULTIPLE BLADES Rectangular-To-Rectangular Single Duct Variable Air Volume Terminal – Models RM and RM-DS



ORDERING KEY

R	M	D	S	B	O	O	X	I	S	O	L	B	S	T
RECTANGULAR MULTIPLE- BLADES PRESSURE INDEPENDENT SINGLE DUCT VAV BOX														
--: WITHOUT INSULATION (STANDARD)														
DS: INSULATION CONTAINED IN DOUBLE SKIN														
SIZE: WIDTH X HEIGHT														
L: CONTROL BOX AT LEFT SIDE OF VAV BOX (STANDARD)														
R: CONTROL BOX AT RIGHT SIDE OF VAV BOX														
ACTUATOR:														
B: BELIMO		J: JOHNSON												
G: GRUNER		S: SIEMENS												
H: HONEYWELL		O: OTHERS												
W: WITHOUT ACTUATOR														
THERMOSTAT:														
A: ACSYS		J: JOHNSON												
B: BELIMO		S: SIEMENS												
H: HONEYWELL		T: TITAN												
O: OTHERS		W: WITHOUT THERMOSTAT												
T: WITH TRANSFORMER														
--: WITHOUT TRANSFORMER														

